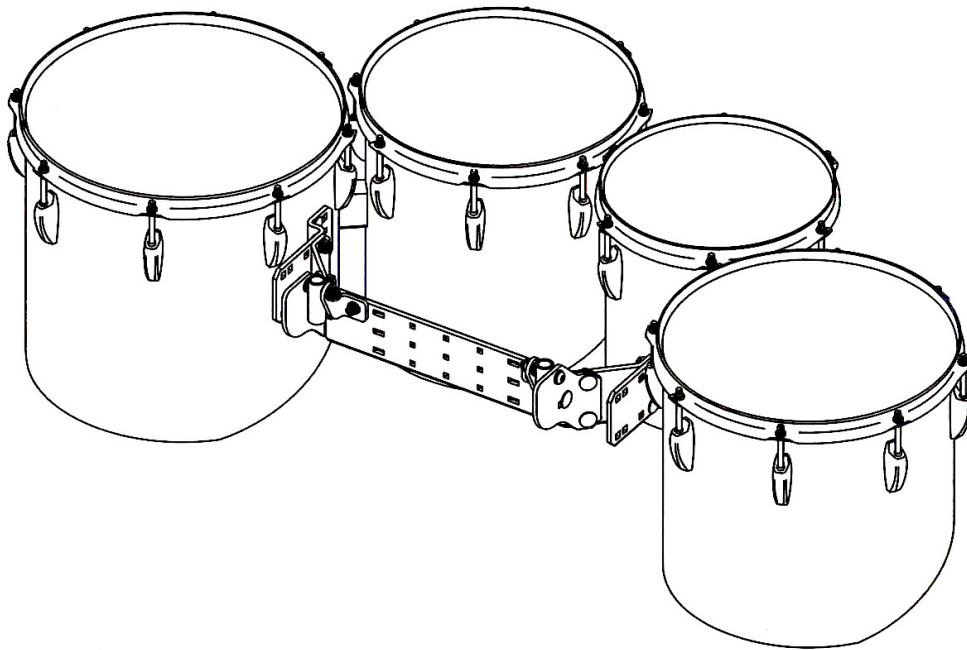


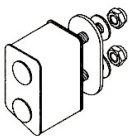
PEARL MARCHING TENOR DRUMS

Instruction Manual

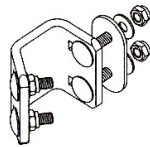
Congratulations on your purchase! To get optimum performance of your Marching Tenor Drums, please read this Instruction Manual before playing.



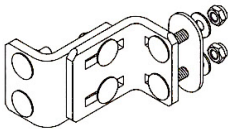
Optional Parts



TS-200 / Spacer



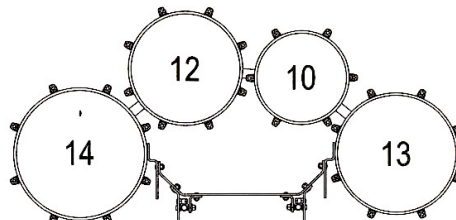
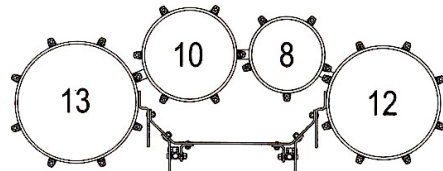
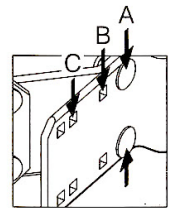
BBS-8 / Attachment



BBS-6 / Attachment

Quad

The Tenor Back Bar is pre-set for a Quad setup and no adjustments are necessary. If you prefer to position the Quads further away from your body please move the Side Bars to the "B" or "C" positions using the provided wrench.

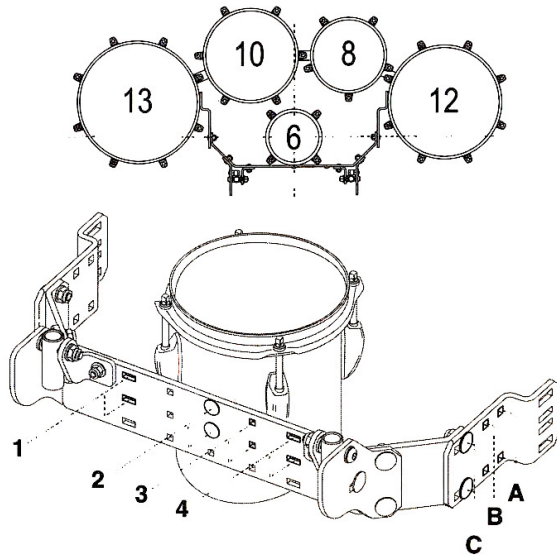


Quint

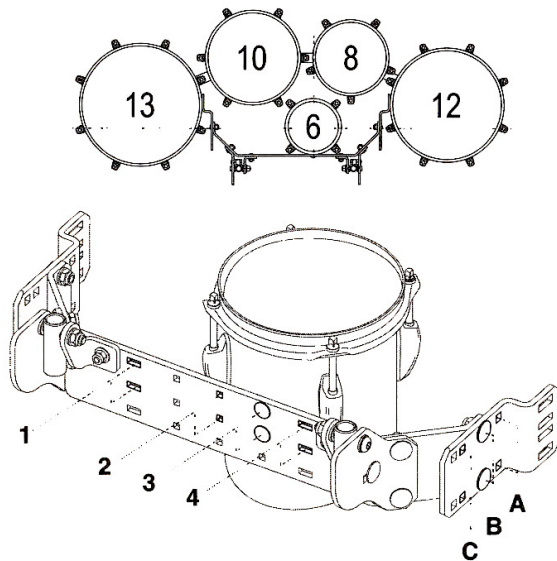
Quint 6+8+10+12+13

For Quints (6+8+10+12+13), the 6" tom can be mounted directly to the Back Bar in the center (position "2") or in the offset position (position "3"). When mounting the 6" tom in the center, adjust the Side Bars to position "C". For mounting in the offset position, adjust the Side Bars to position "B".

Center position

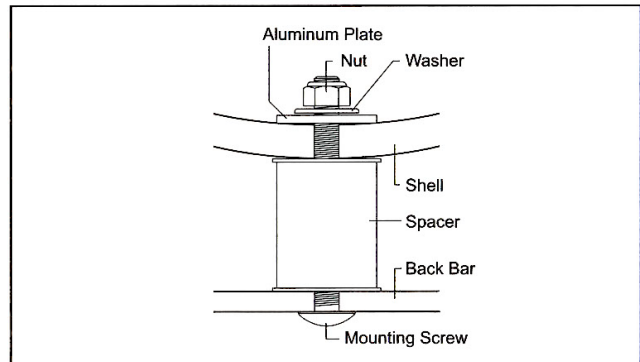
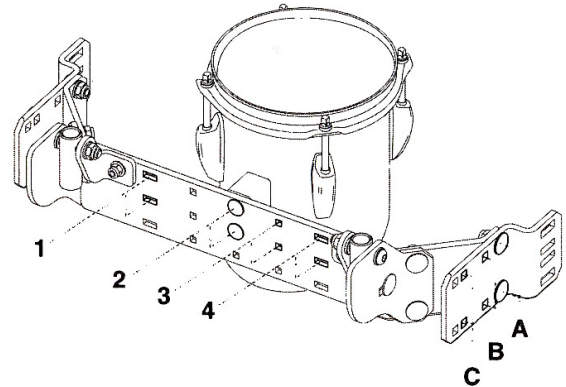
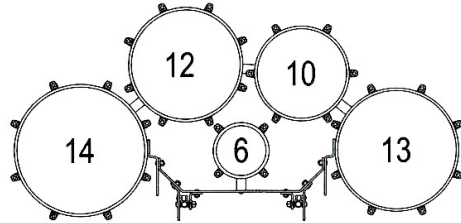


Offset position



Quint 6+10+12+13+14

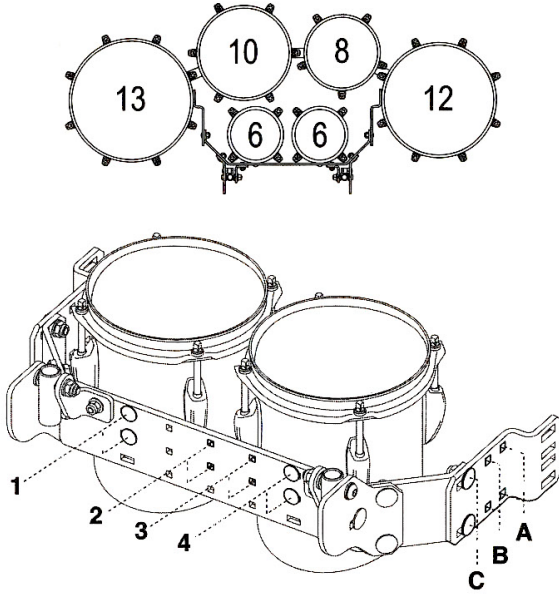
For Quints (6+10+12+13+14), mount the 6" tom to the Back Bar with a TS-200 Spacer (sold separately) in the 2nd position as shown. Set the Side Bars to the "A" Position as shown.



Sextet

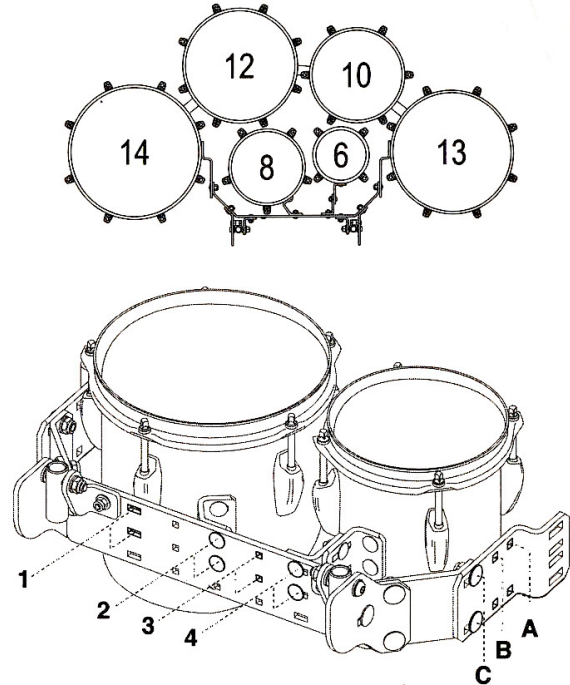
Sextet 6+6+8+10+12+13

For Sextets (6+6+8+10+12+13), mount the 6" toms directly to the Back Bar in the 1st and 4th positions as shown. Set the Side Bars to the "C" Position as shown.

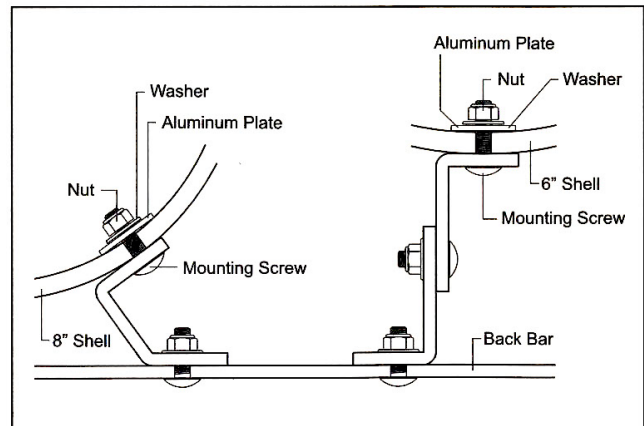


Sextet 6+8+10+12+13+14

For Sextets (6+8+10+12+13+14), mount the 8" tom in the 2nd position and the 6" tom in the 4th position using the BBS-6 and BBS-8 adapters as shown. Set the Side Bars to the "C" position as shown.



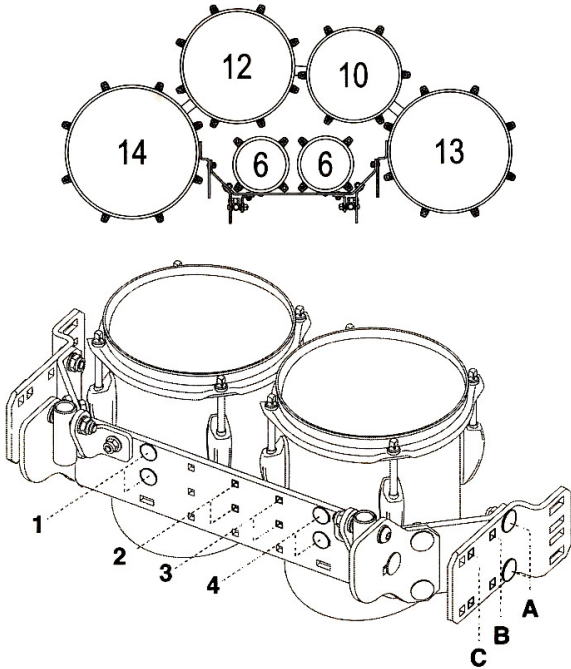
Note use BBS-6 for 6" tom & BBS-8 for 8" tom.



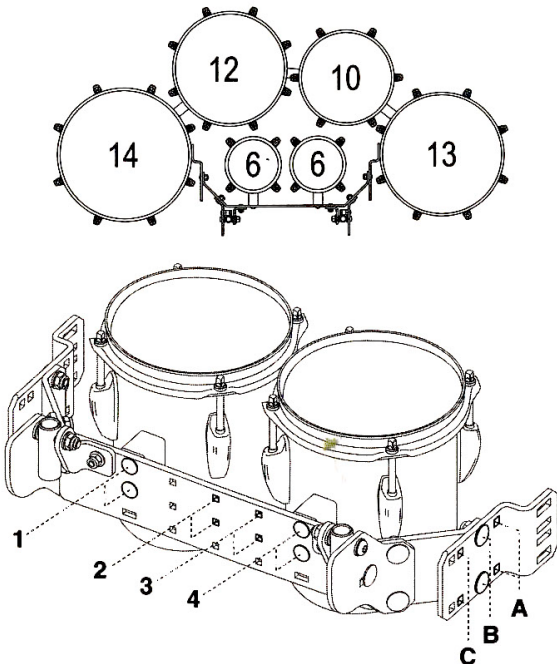
Sextet 6+6+10+12+13+14

The 6" toms in the 6+6+10+12+13+14 Sextet can be mounted (1) directly to the Back Bar, (2) with TS-200 spacers, or (3) with BBS-6 attachments. In all three methods, mount the 6" toms to the Back Bar in the 1st and 4th positions. When mounting the toms directly to the Back Bar, adjust the Side Bars to position "A". When using TS-200 spacers, adjust to position "B". When using BBS-6 attachments, adjust to position "C".

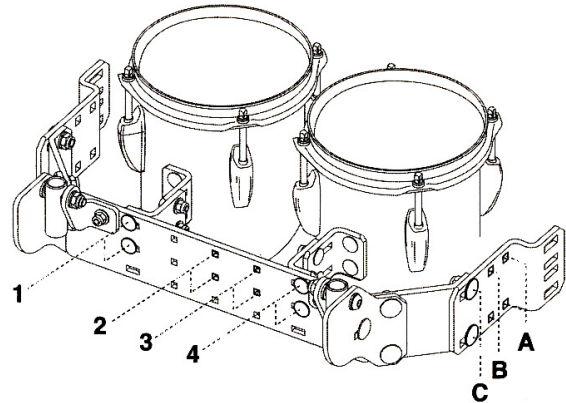
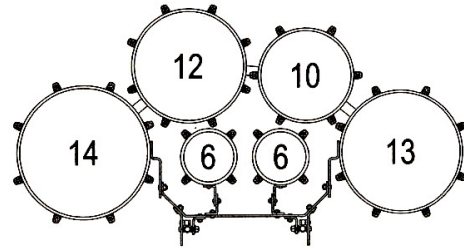
Direct mounting



Using TS-200

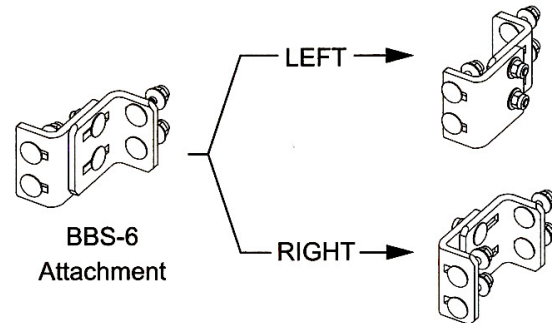


Using BBS-6



Note

Position the BBS-6 attachment as shown below.



Pearl

<http://www.pearldrum.com>

Products and specifications are subject to change without notice.

Printed in Taiwan

-1002-